

# evo<sup>TM</sup>



**STEYR evo 10 E**  
**STEYR evo 10 E Compact**

# MATCH



Bedienungsanleitung  
Operator's manual  
Mode d'emploi  
Instrucciones de funcionamiento

**STEYR evo 10 E STANDARD**



**STEYR evo 10 E COMPACT**



## **ATTENTION**

This operator's manual should be read carefully before using the pistol!



**Important measures when using arms:**

All firearms are dangerous objects, they should be used and stored with utmost caution!

Always treat an unloaded weapon as if it were loaded. Never put your finger on the trigger, except when actually firing a shot. Always ensure that the weapon is pointing in a safe direction. Keeping the weapon in perfect condition ensures safety.

**Weapons always have to be stored out of the reach of unauthorised persons.**

**Approved hearing and eye protection has to be used when shooting.**

## TABLE OF CONTENTS

<b>1</b>	<b>Technical Data</b> .....	<b>26</b>
<b>2</b>	<b>Operational Readiness – Electronics</b> .....	<b>27</b>
<b>3</b>	<b>Dry firing mechanism</b> .....	<b>28</b>
<b>4</b>	<b>Cocking, loading, firing</b> .....	<b>29</b>
<b>5</b>	<b>Sight adjustment</b> .....	<b>30</b>
5.1	Moving or exchanging the front sight .....	30
5.2	Rotating front sight .....	30
5.3	Rear sight adjustment .....	31
5.4	Rotating rear sight .....	31
<b>6</b>	<b>Trigger adjustment</b> .....	<b>32</b>
6.1	Trigger blade adjustment .....	32
6.2	Adjusting the trigger pull force .....	33
6.3	Adjusting the first stage travel .....	34
6.4	Second stage pressure adjustment .....	35
<b>7</b>	<b>Adjusting the grip</b> .....	<b>36</b>
<b>8</b>	<b>Replacing and refilling the compressed-air cylinder</b> .	<b>37</b>
<b>9</b>	<b>Cleaning and care</b> .....	<b>38</b>
<b>10</b>	<b>Guarantee clauses</b> .....	<b>38</b>
<b>11</b>	<b>Parts list</b> .....	<b>40</b>

## 1 TECHNICAL DATA

Calibre .....	4.5 mm (.177)
Overall height of weapon .....	148 mm
Overall length of weapon .....	400 mm
Overall width of weapon .....	50 mm
Total weight of weapon .....	968 g
Sight length .....	adjustable from
.....	316 to 365 mm
Front sight .....	relocatable front
Rear sight .....	adjustable from
.....	1.5 to 7 mm
Barrel length .....	233 mm
Maximum filling pressure .....	200 bar
Electric power supply .....	Battery Pack

## 2 OPERATIONAL READINESS – ELECTRONICS

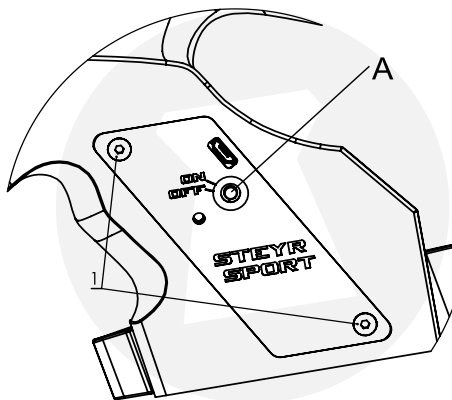
The electronics are switched on by operating the switch (A) until the green light flashes on for one second. The rechargeable battery is in good condition; you can still fire up to 10000 shots. If the red LED flashes briefly when firing, you still have 400 shots left. If it flashes continuously, then 300 shots can still be fired. If the green LED does not light up when switching on, then the battery needs recharging. The electronics are switched off by operating the switch (A) until the red light flashes on for a moment. In order to conserve power, the electronics switch off automatically after 30 minutes of inactivity. To recharge the battery, switch the electronics off and please use the supplied mini USB connector. The green LED stays on until the battery is fully charged.

Just 10 minutes of charging are sufficient for approximately 500 shots.

If you **replace the rechargeable battery**, use only an original battery: Remove the grip plate by unscrewing the two screws 1. Remove the circuit board and battery pack from the grip.

Loosen the connector and remove the battery pack. Replace it with a new battery pack. The old battery must be properly disposed of in accordance with the relevant national legislation.

**ATTENTION:**  
When replacing the battery, the electronics must always be switched off and the weapon must always be unloaded.



### 3 DRY FIRING MECHANISM

#### a) Conventional dry firing (mechanical trigger)

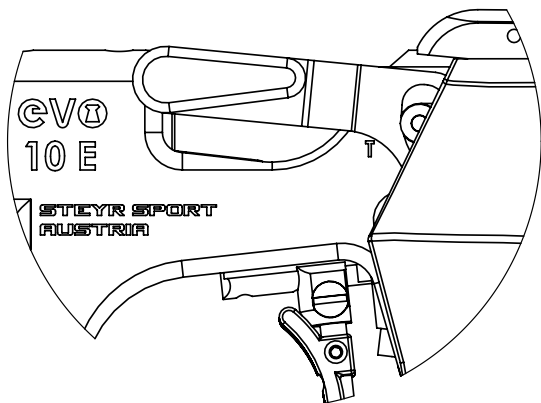
Switch on the electronic unit. The cocking lever has to be pulled backwards to the stop (in the vertical position) and then moved forward again until you feel the first resistance. The letter "T" on the casing is still visible. The mechanism is cocked. Trigger can be tested for shooting, but no compressed air will escape.

#### b) Dry firing with electronic trigger

Switch on the electronic unit. The system does not need to be cocked for dry firing. Trigger can be tested for real shooting with the cocking lever not fully closed ("T" visible). No compressed air will escape.

Dry firing is also allowed during competition.

**Note: Dry firing is not allowed during the Olympic final!**

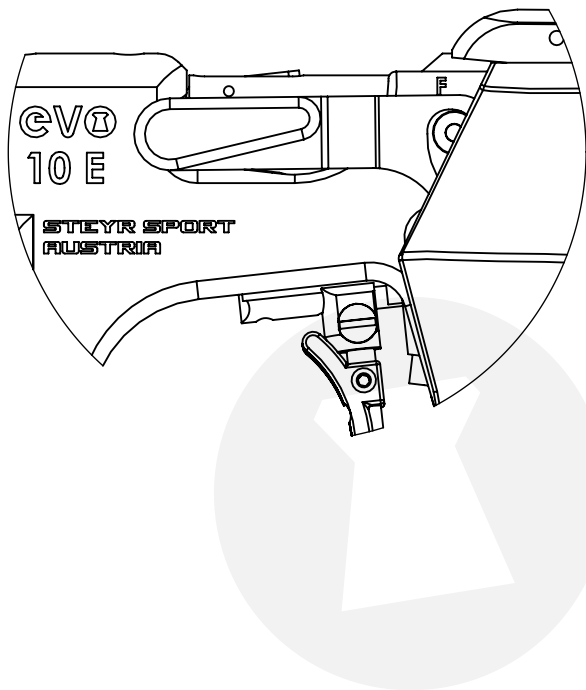




## 4 COCKING, LOADING, FIRING

Switch on the electronic unit. Pull back the cocking lever to the stop, this cocks the pistol and opens the loading port.

Insert a Diabolo pellet and fully close the cocking lever again. Only the letter "F" will be visible on the casing (fig.). The pistol is ready for firing.



## 5 SIGHT ADJUSTMENT

The setscrews have to be turned as follows:

- |           |   |  |
|-----------|---|--|
| High hit  | – | turn height-adjusting screw in direction H |
| Low hit   | – | turn height-adjusting screw in direction T |
| Right hit | – | turn side-adjusting screw in direction R   |
| Left hit  | – | turn side-adjusting screw in direction L   |

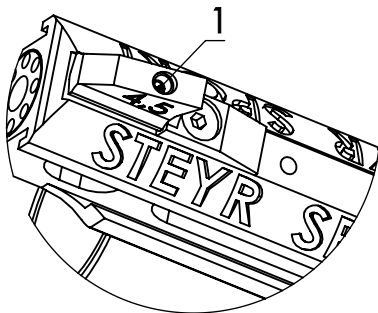
One click of the side-adjusting screw changes the point of impact position by 1.2 mm at a target distance of 10 m.

### 5.1 Moving or exchanging the front sight

After loosening the countersunk screw the front sight can be moved backwards and forwards or removed.

### 5.2 Rotating front sight

The front sight can be rotated by opening screw 1.



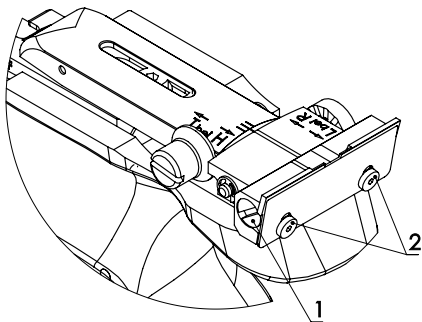
### 5.3 Rear sight adjustment

The STEYR EVO 10 E is equipped with an adjustable rear sight, this feature enables you to adjust sighting width continuously from 1.5 to 7 mm.

Turning screw 1 counter-clockwise increases the gap between the rear sight plates.

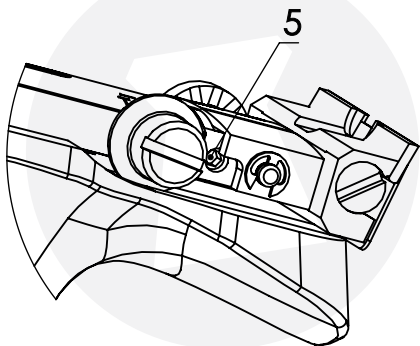
The depth of the gap is continuously adjustable from 1.8 to 2.6 mm.

For this procedure, loosen screws 2. Slide cover plate into desired position and retighten screws.



### 5.4 Rotating rear sight

The rear sight can be rotated by opening screw 5.



## 6 TRIGGER ADJUSTMENT

In the factory the trigger adjustments are set in such a way that the trigger pulling force corresponds to the ISSF-shooting rules and a smooth pulling function is ensured. Individual adaptation is possible.

**PLEASE NOTE: Before making any changes on the trigger, ensure that the weapon IS UNLOADED.**

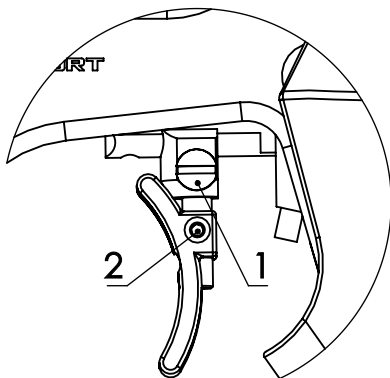
### 6.1 Trigger blade adjustment

Loosen countersink screw 1.

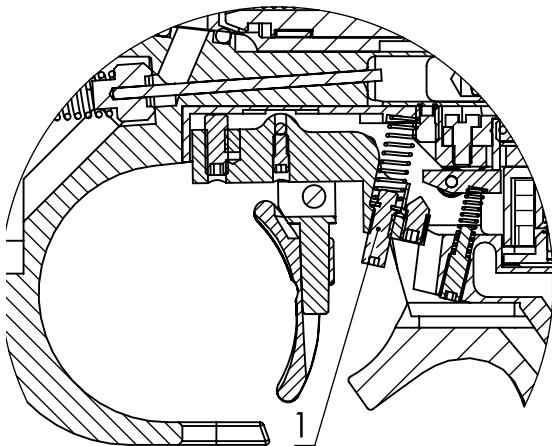
The trigger blade can be moved in longitudinal directions.

Loosen countersink screw 2.

The trigger blade can be moved in height and angle.



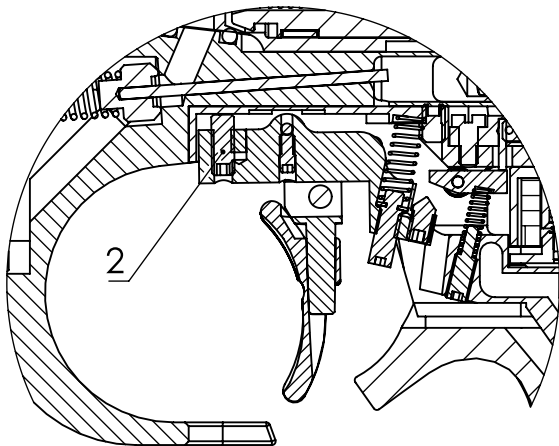
## 6.2 Adjusting the trigger pull force



Turning screw 1 anticlockwise reduces the trigger pull force

Turning screw 1 clockwise increases the trigger pull force

### 6.3 Adjusting the first stage travel

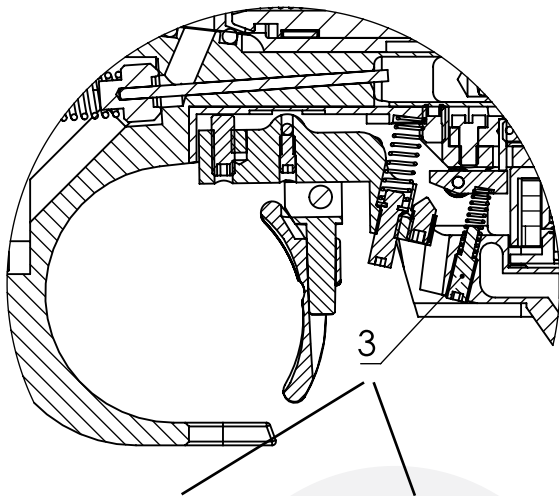


Turning screw 2 clockwise reduces the dead travel.

Turning screw 2 anticlockwise increases the dead travel.

## 6.4 Second stage pressure adjustment

Remove the grip.



Turning screw 3 clockwise increases the second stage pressure

Turning screw 3 anticlockwise decreases the second stage pressure

**ATTENTION: The grip is linked to the system with cables! Care must be taken not to damage these cables when removing the grip!**

## 7 ADJUSTING THE GRIP

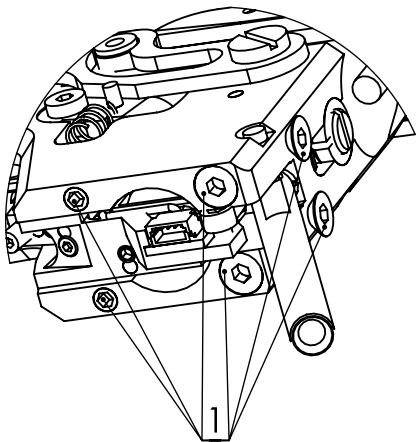
The grip is adjustable and pivotable to the weapon system in all directions and may be widely adapted to the shooter's stance.

The grip can be adjusted after unscrewing the grip and disconnecting the plug connector of the electronics.

Remove the grip plate by unscrewing the two screws. Then take out the electronics and un-

plug the electronics connector. The plug connector on the housing need not be disconnected.

The grip can then be removed and the system screws on the housing can be adjusted.



When you put the weapon system back into the grip, please ensure that the cables are not trapped between the casing and the grip.

### ATTENTION:

**At maximum offset of the grip, please ensure that the grip does not press against the pistol housing when tightening the grip securing bolt. Risk of splitting or cracking the grip!**

**Only remove the grip with the electronic unit switched off and weapon unloaded!**



## 8 REPLACING AND REFILLING THE COMPRESSED-AIR CYLINDER

The compressed-air cylinders must be emptied and safely disposed of 10 years after production date. The production and disposal dates are noted on the compressed-air cylinder.

The legal requirements and rules of the respective country must be adhered to.

The compressed-air cylinder may be unscrewed and removed at any time without being emptied.

Please note that the compressed air cylinder must be screwed fully into place by hand only. No tools may be used.

**WARNING: Do not tamper with compressed-air cylinder and valve. It may cause injury!**

The compressed-air cylinder is to be charged with a maximum filling pressure of 200 bar. Only use clean and dry compressed air.

For recharging the cylinder proceed as follows:

- Either mount the compressed-air cylinder on a recharging bottle
- Or mount the compressed-air cylinder on a hand pump
- Or mount the compressed-air cylinder on a compressor

## 9 CLEANING AND CARE

In standard use the weapon operates maintenance-free and no oiling is required.

The only maintenance required is to slightly grease the O-ring in the loading port and the O-ring at the threaded adapter socket for the compressed-air cylinder with a special lubricant (acid-free silicone grease) every 1000 shots. This will increase the service life of the O-rings.

To clean the barrel shoot some dry (not greased) felt pellets or cleaning strings through the barrel (available at your dealer).

## 10 GUARANTEE CLAUSES

If within two years from the day of purchase any cracks or breaks should occur on this weapon that are due to material failure we undertake the repair of the defective parts free of charge (except breakage or cracking of the stock/pistol or O-rings).

Guarantee will be given by either replacing or repairing the weapon or parts of it at our sole discretion.

**No guarantee claims will be accepted by STEYR SPORT GmbH if:**

- a) the weapon has been damaged or destroyed by force majeure or environmental influences;
- b) in case of damages/defects having been caused by improper treatment or handling or by lack of care;
- c) if the weapon has been repaired, machined or altered by any person or workshop other than an authorised STEYR SPORT GmbH workshop.

## **Claims for damages and product liability**

No claims for direct or indirect damages will be accepted.

Liability for material damages resulting from the product liability law, BGBL 99/1988, as well as any product liability claims that could be derived from other provisions are excluded.

The object of purchase warrants only that type of safety which may be expected in accordance with the homologation rules, service manual, manufacturer's instructions as well as any other pertinent information received.

The above clauses govern the full customer/manufacturer relationship with our company. Any addition claims, in particular for any kind of damages or losses caused by the weapon or its use, are excluded.

## **Guaranteed STEYR SPORT accuracy**

Our barrels are made from high quality barrel steel and are produced according to the latest findings in barrel production technology. Our weapons are well known for their outstanding accuracy. However, the accuracy of a weapon depends on several factors; one of the most important factors is the ammunition used. Not every ammunition "fits" every barrel equally good.

If you follow our suggestion, we guarantee that you will achieve outstanding accuracy with your new product.

To check precision with a clamped weapon, it is advisable to clamp the pistol around the area of the trigger guard.

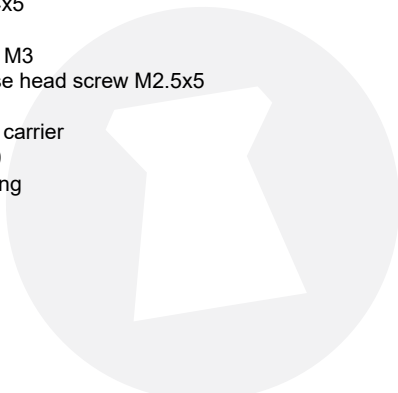
## 11 PARTS LIST

Item	Designation
1	Barrel
2	Barrel cover
2,1	Barrel cover
2,2	8 duct compensator cone
2,3	Set screw M3x3
2,4	Set screw M5x5
4	Front sight
4,1	Front sight base
4,2	Front sight size
4,3	Set screw M3x4
5	Countersunk screw M3x5
6	Barrel weight EVO 4x10g
6,1	Barrel weight 10g
7	O-Ring 6x2
10	Set screw M3x4
12	Casing
13	O-Ring 18x2
14	Set screw M5x6
15	Cam
16	Screw M3x6
17	Pressure spring
18	Valve complete LP/LG
19	Striker
20	Set screw V0
21	Threaded bushing
22	Cocking lever
23	Cocking lever handle
24	Stop screw
25	Parallel pin 2m6x18
26	Counter sunk screw M3x8
27	Grip locking rod short
28	Parallel pin 3m6x18
29	Pressure reducing valve
29,9	O-Ring 4x1.5

<b>Item</b>	<b>Designation</b>
30	Clamping screw
31	Muzzle extension
32	Rear sight leaf, right
33	Rear sight leaf, left
34	Spindle right
35	Spindle left
36	Clamp
37	Cover plate
38	Screw M2 5x5
39	Rear sight adjusting plate
40	Sliding block
41	Height adjusting screw
42	Pressure spring
43	Pressure spring
44	Spring
45	Ball 2.5 mm
46	Lock washer 2.3
47	Lateral adjusting screw
48	Rear sight plate
49	Slotted cheese head screw
50	Washer A 4.3
51	Pressure spring
52	Pressure spring
53	First stage pressure spring
55,6	Release force screw
59	Bolt
60	Stabilizer
61	Catch lever
62	Bolt roller complete
62,1	Bolt roller
62,2	Bolt
63	Guide ring
64	Pressure spring
65	Drift pin 1.5m6x7
66	Ball 2.0 mm

<b>Item</b>	<b>Designation</b>
69	Set screw M3x8
70	O-Ring 3x1.5
71	O-Ring 5x1.5
72	Compressed air cylinder
73,10	Washer A 4.3
73,3	Label
73,7	Rest plate
74	Muzzle extension
74,4	Parallel pin 1.5m6x10
74,7	Store pin
74,8	Mini ball bearing
76	Cocking lever complete
77	Rear sight adjusting plate
77,2	O-Ring 13x2
80	Bolt complete
81	Trigger blade complete
81,1	Trigger blade carrier
81,2	Trigger blade
81,3	Fillister head screw M3x8
82	Set screw M2.5x3
83	Pressure spring
84	Spring plate stabilizer
85	Guide ring incl. Spring plate
83	Pressure spring
87	Base Sight
88	Set screw M4x4
90	Screw
92	Trigger housing
93	Electronic board micro incl. Battery pack
93,1	Electronic board micro
93,2	Battery Pack
94	Set screw M4x6
100	Trigger housing
101	Rocker
102	Set screw M2x2,5

<b>Item</b>	<b>Designation</b>
103	Screw lock 1,5mm
104	Screw lock 2mm
105	Contact retainer
106	Slotted cheese head screw M2.5x5
107	Set screw M3x5
108	Screw M2,5x3
109	Screw
120	Grip complete
120,1	Grip
120,4	Screw M 4x20
120,8	Grip plate
120,9	Screw nut
122	Cable
130	Filling adapter compressed air complete
131	Trigger blade carrier
132	Set screw M3x6
133	Front Sight
134	Lock washer 1.5
135	First stage pressure adjusting screw
140	Set screw M4x5
141	Catch detent
142	Thread insert M3
144	Slotted cheese head screw M2.5x5
145	Trigger unit
146	Trigger blade carrier
147	Screw M4x30
148	Pressure spring











# MATCH



STEYR SPORT GmbH / A-4432 Ernstshofen/Austria / Olympiastraße 1

T: +43 / (0)7435 20259-0 / F: +43 / (0)7435 20259-99

E: [office@steyr-sport.com](mailto:office@steyr-sport.com) / I: [www.steyr-sport.com](http://www.steyr-sport.com)